

# SURGE-RATED DISCONNECT SWITCH

COMPONENT  
DEVICE FOR  
OEM DESIGN  
AND BUILD



The Surge Switch is an extremely compact, high performance, manually operated, non-fused switch. It is specifically designed to withstand the high surge current of 200kA with an 8x20  $\mu$ s waveform seen in today's transient voltage surge protection device (SPD) applications. Mersen's Surge Switch utilizes a unique contact design that actually clamp contacts tighter during a surge.

## FEATURES AND BENEFITS:

- Only surge rated switch available today
- Compact footprint
- Extremely reliable
- Defeatable pistol handles automatically relatch when panel door is closed, no tool necessary to reset latch
- Direct mount handle option

## RATINGS:

- **Volts:** 600V AC
- **Amps:** 600A
- **Surge Rating:** 200kA 8x20  $\mu$ s wave form

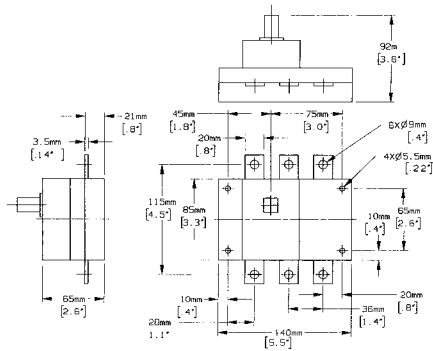
## APPROVALS:

- UL Listed Guide NRNT, File E224922

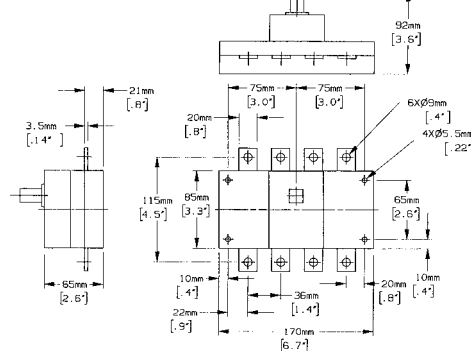


| CATALOG NUMBER | DESCRIPTION  |
|----------------|--|
| SS200          | 3-pole, surge switch, 200kA 8x20 μs                              |
| SS200-4        | 4-pole, surge switch, 200kA 8x20 μs                              |
| HADSS200       | Direct mount black handle  |
| HGPB           | External black handle, NEMA 1,3R, 12 (IEC IP 54), defeatable     |
| HGPR           | External red handle, NEMA 1,3R,12 (IEC IP 54), defeatable        |
| HGPB4          | External black handle, NEMA 1,3R,12,4,4X (IEC IP 65), defeatable |
| HGPR4          | External red handle, NEMA 1,3R,12,4,4X (IEC IP 65), defeatable   |
| SG200-10       | Shaft, 7.9 in (200 mm)   |
| SG320-10       | Shaft, 12.6 in (320 mm)  |
| SG400-10       | Shaft, 15.7 in (400 mm)  |
| TS200SS        | Terminal Shield, 3-pole  |
| TS2004SS       | Terminal Shield, 4-pole  |

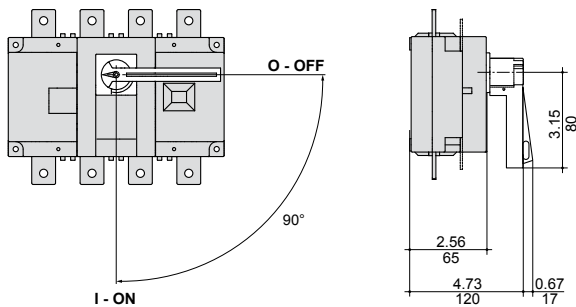
DIMENSIONS (dual dimensions: in/mm) SS200



DIMENSIONS (dual dimensions: in/mm) SS200-4

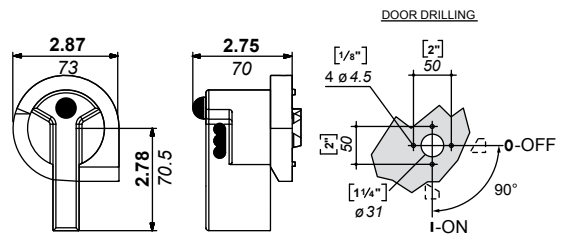


DIMENSIONS: HADSS200



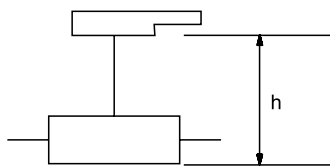
DIMENSIONS: PISTOL HANDLE TYPE G

- HGPB
- HGPR
- HGPB4
- HGPR4



DIMENSIONS: PISTOL HANDLE TYPE G

SS200/SS200-4



| SHAFT LENGTH |     | H MINIMUM | DIMENSION | H MAXIMUM | DIMENSION |
|--------------|-----|-----------|-----------|-----------|-----------|
| IN           | MM  | IN        | MM        | IN        | MM        |
| 7.9          | 200 | 4.88      | 124       | 9.29      | 236       |
| 12.6         | 320 | 4.88      | 124       | 14.01     | 356       |
| 15.7         | 400 | 4.88      | 124       | 17.16     | 436       |